

DS Series

Detect Switches



Ordering Number

Part number list is shown below. For individual part details, please refer to the following pages.

Part Number (Part Description)	Product Details
DS-02005 DS-02005 (30)	Detect switch normally open top actuated
DS-040-02	Detect switch normally open SPST
DS-080 DS-080-C PA	Detect switch normally open SPDT
DS-09005-02 RP	Detect switch normally open SPST
DS-180 RT	Detect switch normally open side actuated

Description

The DS series detect switch is designed to give audio & visual equipment, appliance, and consumer electronics designers the high-performing yet compact switch they need to create a successful product. Known for their quality and performance, the DS series is designed to be compact, can detect mechanical movement, and have a low actuation force.

Features & Benefits

- Compact design
- Low actuation force
- Detect mechanical movement
- Left and right options
- Right angle options

Applications

- Computer peripherals
- Office equipment
- Consumer electronics
- Appliances
- Audio and visual equipment

DS Series

Detect Switches



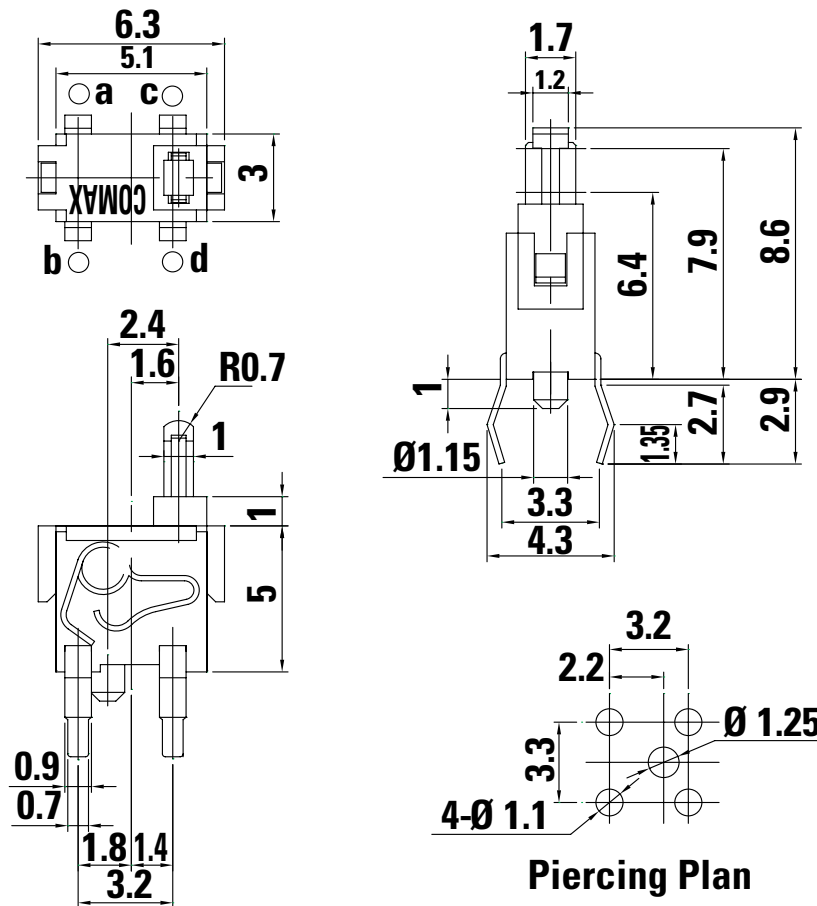
DS-02005 Specifications

Contact Arrangement	SPST, NO
Contact Rating	100mA @ 30 VDC
Operating Life	50,000 cycles
Operating Force	50 gf max.
Pre-Travel	0.7 mm
Total Travel	2.6 mm
Initial Contact Resistance	1 Ω max.
Insulation Resistance	100 M Ω min. @ 100 VDC 60 sec.
Dielectric Strength	100 V AC (50-60 Hz) 60 sec.
Operating Temperature	-40°C to 85°C
Materials	
Knob	PA
Cover	PA
Spring	Gold Plated, copper alloy
Housing	PA
Terminal	Silver plated, copper alloy

Part Number	Packaging	Schematic
DS-02005	1,000 pieces	

Note: Complete part numbers for DS Series are shown above.

Dimensions (in mm)



DS Series

Detect Switches

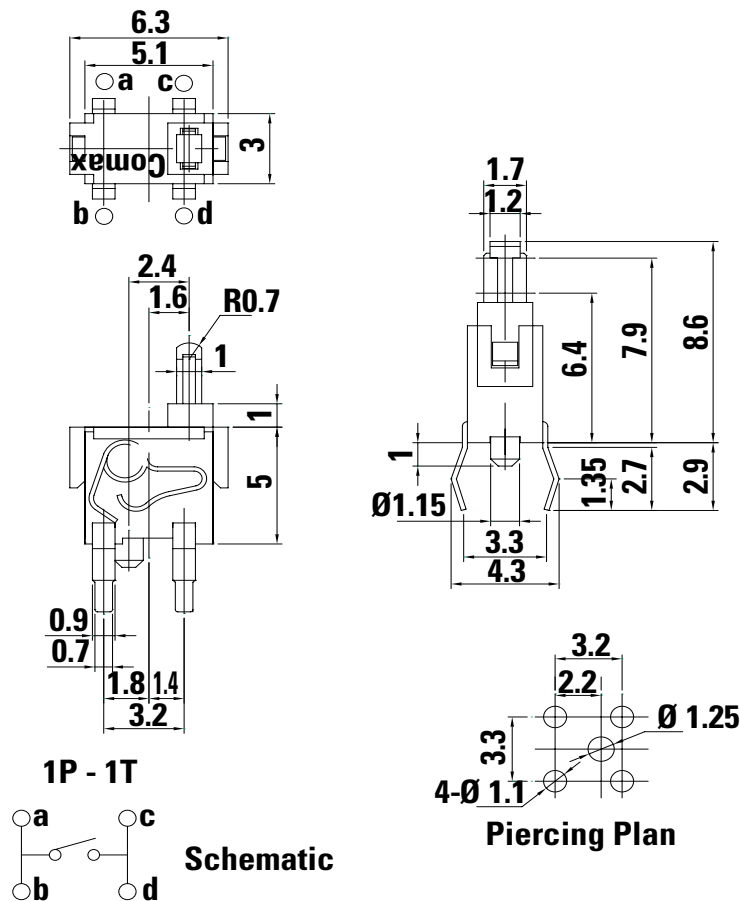


DS-02005 (30) Specifications

Contact Arrangement	SPST, NO
Contact Rating	100mA @ 30 VDC
Operating Life	50,000 cycles
Operating Force	30 gf max.
Pre-Travel	0.7 mm
Total Travel	2.2 mm
Initial Contact Resistance	1 Ω max.
Insulation Resistance	100 M Ω min. @ 100 VDC 60 sec.
Dielectric Strength	100 V AC (50-60 Hz) 60 sec.
Operating Temperature	-40°C to 85°C
Materials	
Knob	PA
Cover	PA
Spring	Gold Plated, copper alloy
Housing	PA
Terminal	Silver plated, copper alloy

Part Number	Packaging	Schematic
DS-02005 (30)	1,000 pieces	

Dimensions (in mm)



DS Series

Detect Switches

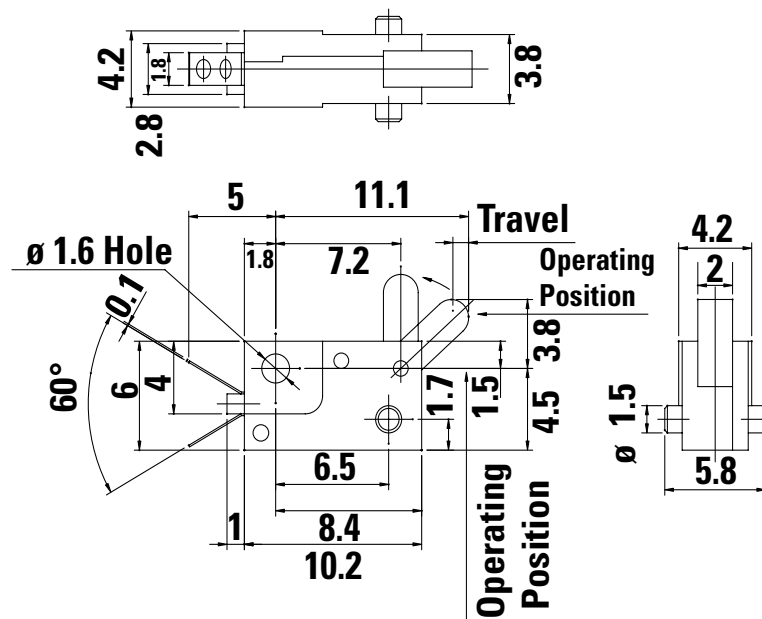


DS-040-02 Specifications

Contact Arrangement	SPST, NO
Contact Rating	0.1A @ 16 VDC
Operating Life	20,000 cycles
Operating Force	30 ± 15 gf
Travel	0.90 ± 0.20 mm
Initial Contact Resistance	40 m Ω max.
Insulation Resistance	100 M Ω min. @ 250 VDC 60 sec.
Dielectric Strength	250 V AC (50-60 Hz) 60 sec.
Operating Temperature	-20°C to 70°C
Materials	
Lever	POM
Case	PBT
Cover	PC

Part Number	Packaging	Schematic
DS-040-02	1,000 pieces	1P - 1T N.O.

Dimensions (in mm)



DS Series

Detect Switches

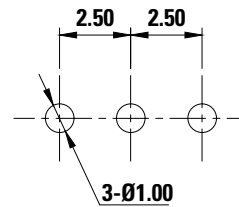
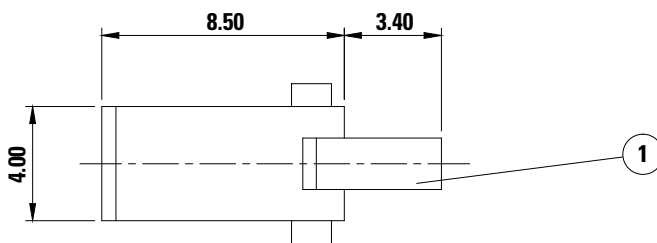


DS-080 Specifications

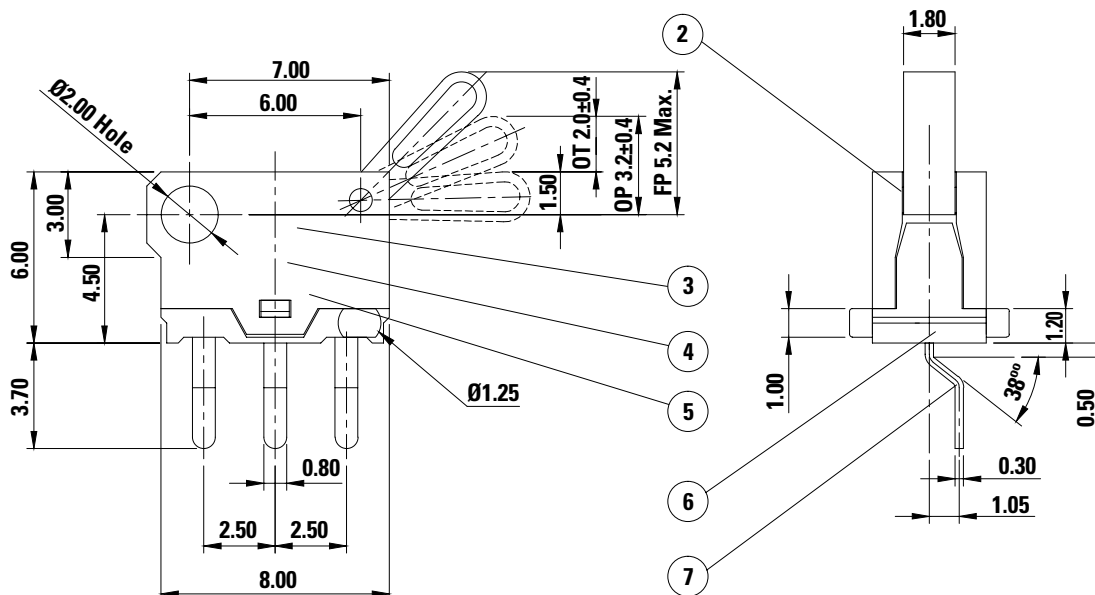
Contact Arrangement	SPDT
Contact Rating	100mA @ 30 VDC
Operating Life	20,000 cycles
Operating Force	30 ± 20 gf
Travel	2.0 ± 0.40 mm
Initial Contact Resistance	200 m Ω max.
Insulation Resistance	10 M Ω min. @ 250 VDC 60 sec.
Dielectric Strength	250 V AC (50-60 Hz) 60 sec.
Operating Temperature	-20°C to 70°C
Materials	
Knob	POM
Cover	PA46
Slider	PBT
Housing	PA46
Terminal	Silver plated

Part Number	Packaging	Schematic
DS-080	1,000 pieces	1P - 2T 2 1 N.O.

Dimensions (in mm)



Piercing Plan



DS Series

Detect Switches

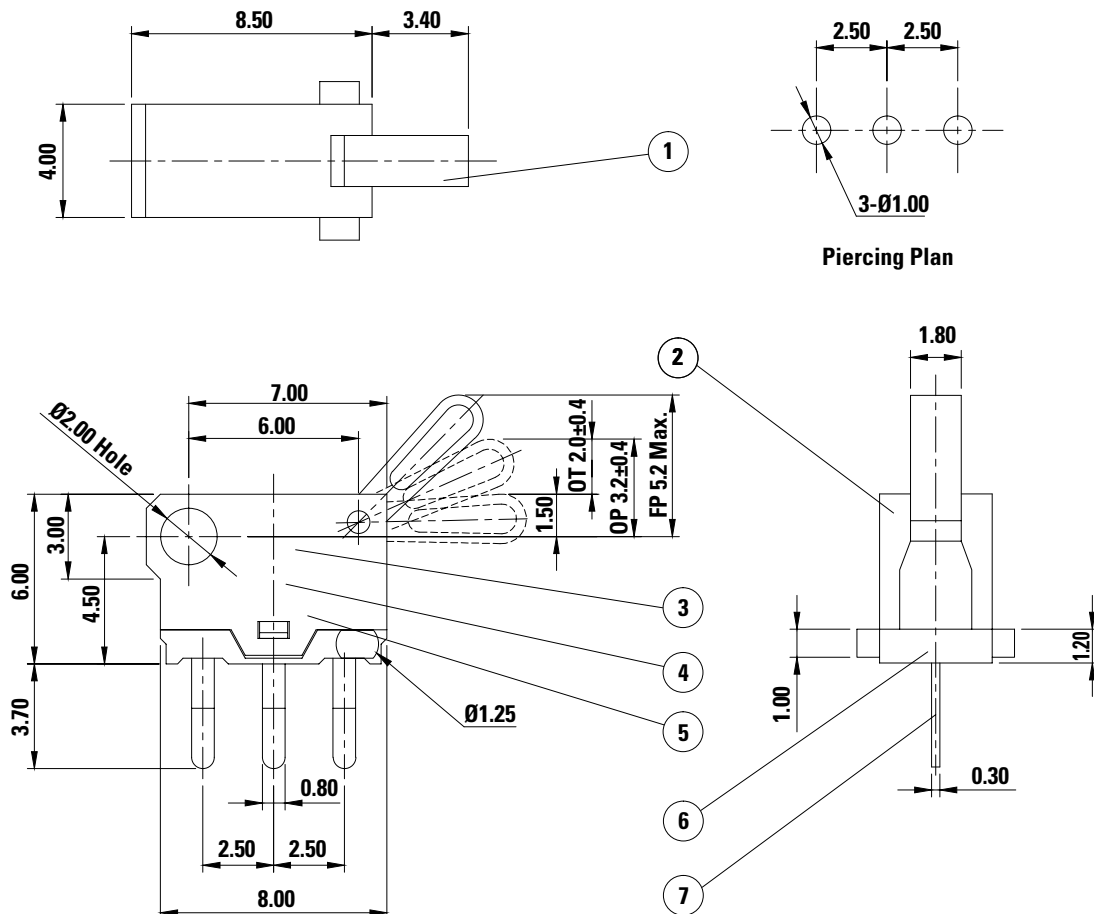


DS-080-C PA Specifications

Contact Arrangement	SPDT
Contact Rating	100mA @ 30 VDC
Operating Life	20,000 cycles
Operating Force	30 ± 20 gf
Travel	2.0 ± 0.40 mm
Initial Contact Resistance	200 m Ω max.
Insulation Resistance	10 M Ω min. @ 250 VDC 60 sec.
Dielectric Strength	250 V AC (50-60 Hz) 60 sec.
Operating Temperature	-20°C to 70°C
Materials	
Knob	POM
Cover	PA46
Slider	PBT
Housing	PA46
Terminal	Silver plated

Part Number	Packaging	Schematic
DS-080-C PA	1,000 pieces	1P - 2T 2 1 N.O.

Dimensions (in mm)



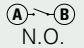
DS Series

Detect Switches

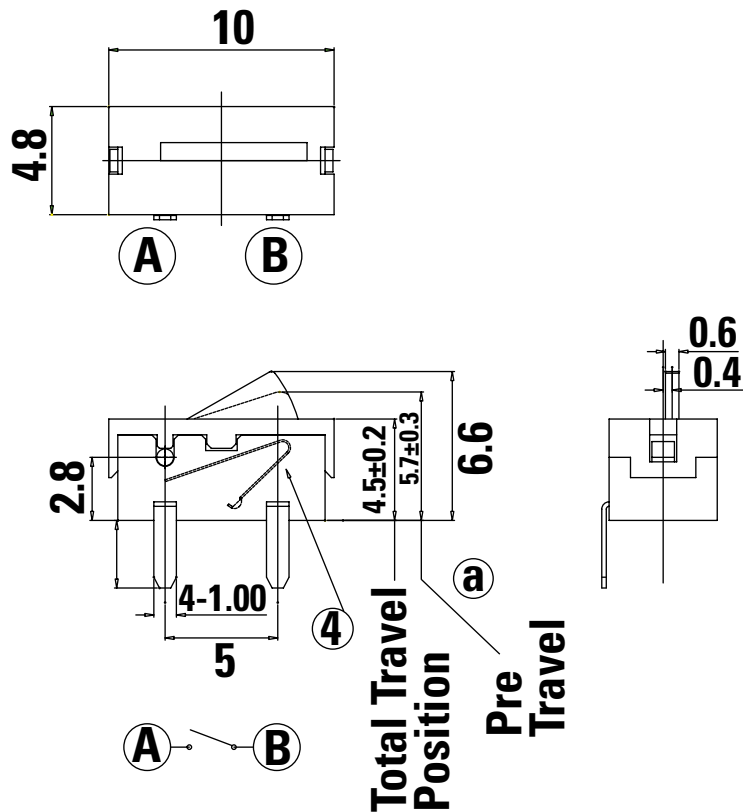


DS-09005-02 RP Specifications

Contact Arrangement	SPST
Contact Rating	1mA @ 5 VDC
Operating Life	100,000 cycles
Operating Force	50 gf max.
Travel	4.5 ± 0.2 mm
Initial Contact Resistance	500 m Ω max.
Insulation Resistance	10 M Ω min. @ 500 VDC 60 sec.
Dielectric Strength	500 V AC (50-60 Hz) 60 sec.
Operating Temperature	-20°C to 70°C
Materials	
Lever	POM
Cover	PA
Housing	PA
Terminal	Silver plated

Part Number	Packaging	Schematic
DS-09005-02 RP	500 pieces	 N.O.

Dimensions (in mm)



DS Series

Detect Switches

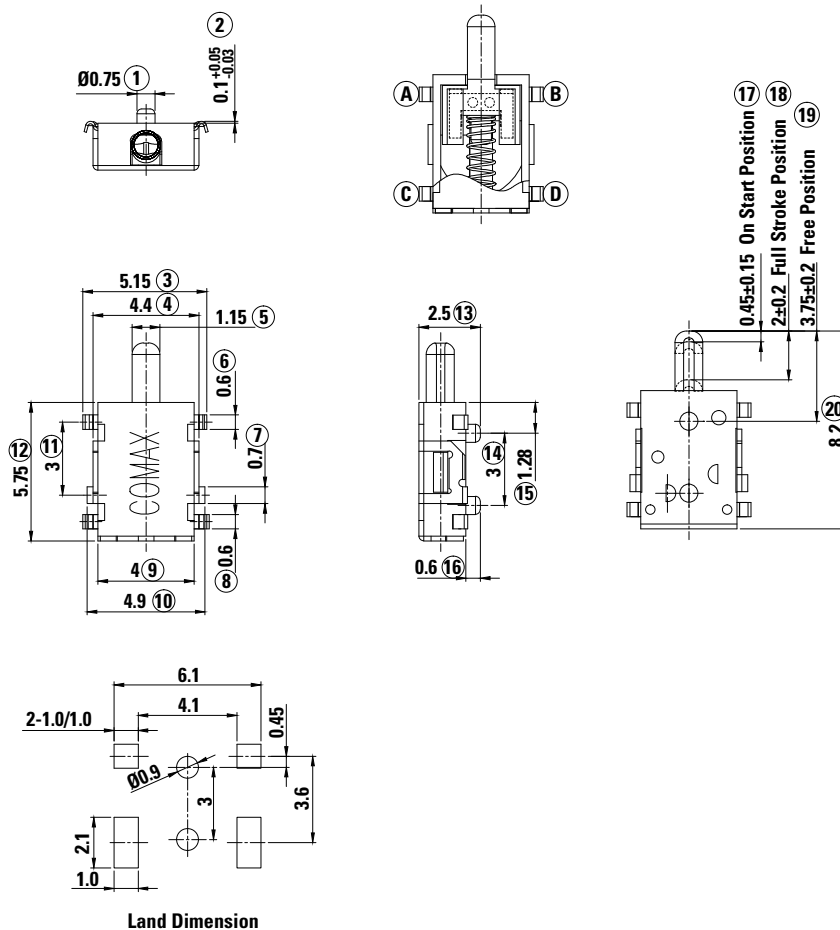


DS-180 RT Specifications

Contact Arrangement	SPST NO
Contact Rating	1mA @ 5 VDC
Operating Life	50,000 cycles
Operating Force	60 gf max.
Travel	2.0 ± 0.2 mm
Initial Contact Resistance	5Ω max.
Insulation Resistance	100 M Ω min. @ 100 VDC 60 sec.
Dielectric Strength	100 V AC (50-60 Hz) 60 sec.
Operating Temperature	-40°C to 85°C
Materials	
Knob	PA
Cover	SPTe
Spring	SUS
Housing	LCP
Terminal	Silver plated

Part Number	Packaging	Schematic
DS-180 RT	3,000 pieces	1P - 1T 

Dimensions (in mm)



Disclaimer Notice - Information furnished is believed to be accurate and reliable. However, users should independently evaluate the suitability of and test each product selected for their own applications. Littelfuse products are not designed for, and may not be used in, all applications. Read complete Disclaimer Notice at <http://www.littelfuse.com/disclaimer-electronics>.