

RM Series

Subminiature Rotary Switches



Specifications

Contact Rating	0.5A 24 V DC; 0.2A 48 V DC
Contact Resistance	100 mΩ max (initial)
Operating Life	2,000 cycles
Insulation Resistance	100 M Ω min. 500 V DC
Dielectric Strength	500 V AC for 1 minute
Operating Force	270 ± 100 gf cm
Operating Temperature	-40°C to 85°C
Packaging	189 pcs / Tray 6 trays / box (1134 pcs)

Description

The RM series are rotary switches with a subminiature design to save space, a screwdriver slot or extended shaft and positive detent. The RM series are most commonly used in audio & visual equipment, consumer electronics and telecom equipment by designers looking for a combination of quality and performance.

Features & Benefits

- Subminiature design saves space
- Screwdriver slot or extended shaft
- Positive detent
- RoHS compliant

Applications

- Audio & visual equipment
- Consumer electronics
- Telecom equipment

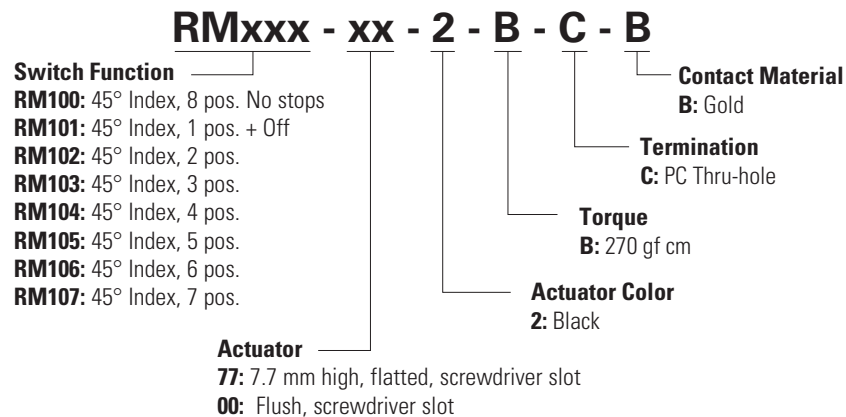
Materials

Cover	PA66
Base	PA6T
Actuator	PA66
Contacts & Terminals	Brass with gold plate over nickel plate
Spring	Brass

Notes: Specifications and materials listed above are for switches with standard options. For information on specific and custom switches, consult Customer Service Center.

Ordering Number

To order, simply select desired option from each category and place in the appropriate box. For additional options not shown in catalog, consult Customer Service Center.



RM Series

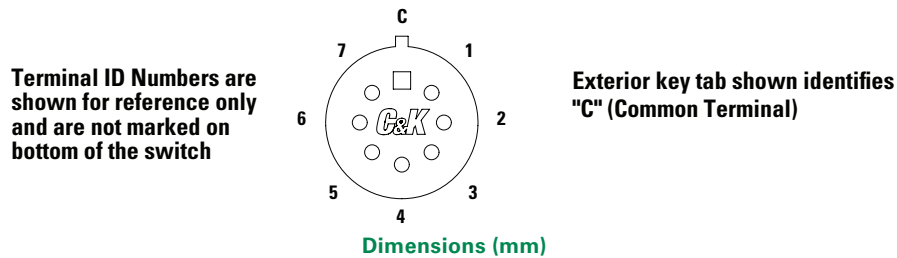
Subminiature Rotary Switches



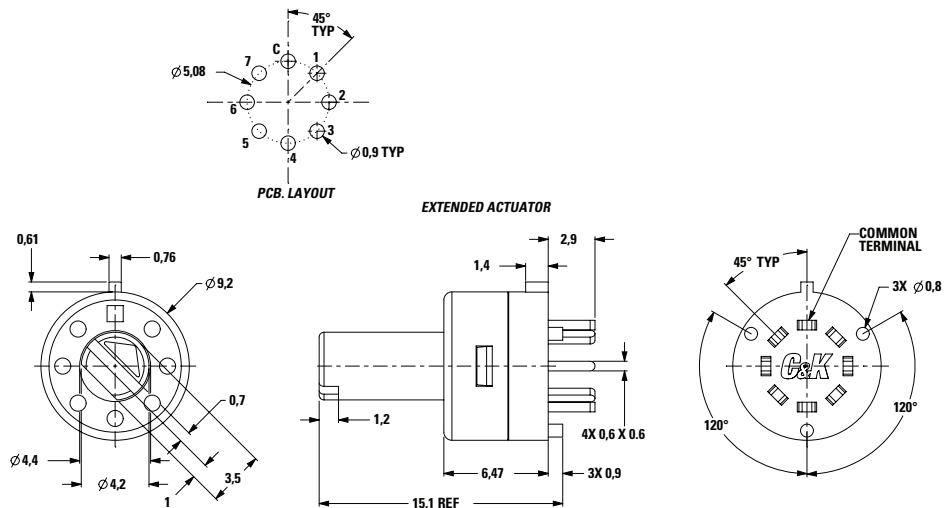
Electrical Schematic - RM Series Switches

Switch Function	Travel Position 0°	Travel Position 45°	Travel Position 90°	Travel Position 135°	Travel Position 180°	Travel Position 225°	Travel Position 270°	Travel Position 315°
RM100	C-C(OFF)	C-1	C-2	C-3	C-4	C-5	C-6	C-7
RM101	C-C(OFF)	X	X	X	X	X	X	C-7
RM102	X	C-1	C-2	X	X	X	X	X
RM103	X	C-1	C-2	C-3	X	X	X	X
RM104	X	C-1	C-2	C-3	C-4	X	X	X
RM105	X	C-1	C-2	C-3	C-4	C-5	X	X
RM106	X	C-1	C-2	C-3	C-4	C-5	C-6	X
RM107	X	C-1	C-2	C-3	C-4	C-5	C-6	C-7

Terminals - Bottom view

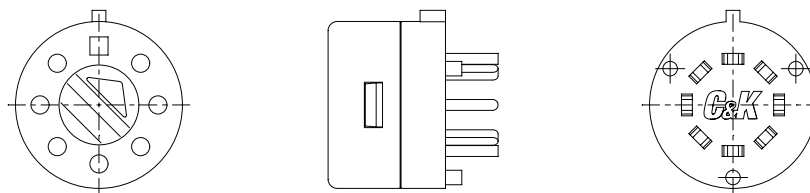


77.7 mm High, Flatted, Screwdriver Slot



00 Flush, Screwdriver Slot

Flush Actuator



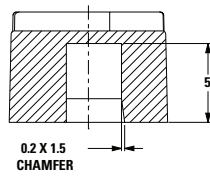
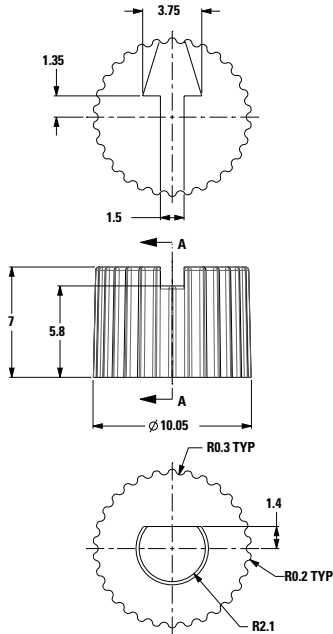
RM Series

Subminiature Rotary Switches

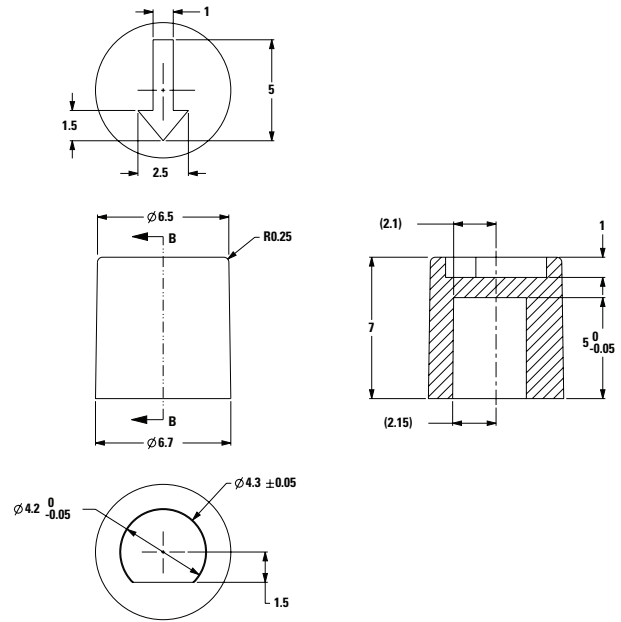


Knobs

297F02000



296F02000



Disclaimer Notice - Information furnished is believed to be accurate and reliable. However, users should independently evaluate the suitability of and test each product selected for their own applications. Littelfuse products are not designed for, and may not be used in, all applications. Read complete Disclaimer Notice at <http://www.littelfuse.com/disclaimer-electronics>.